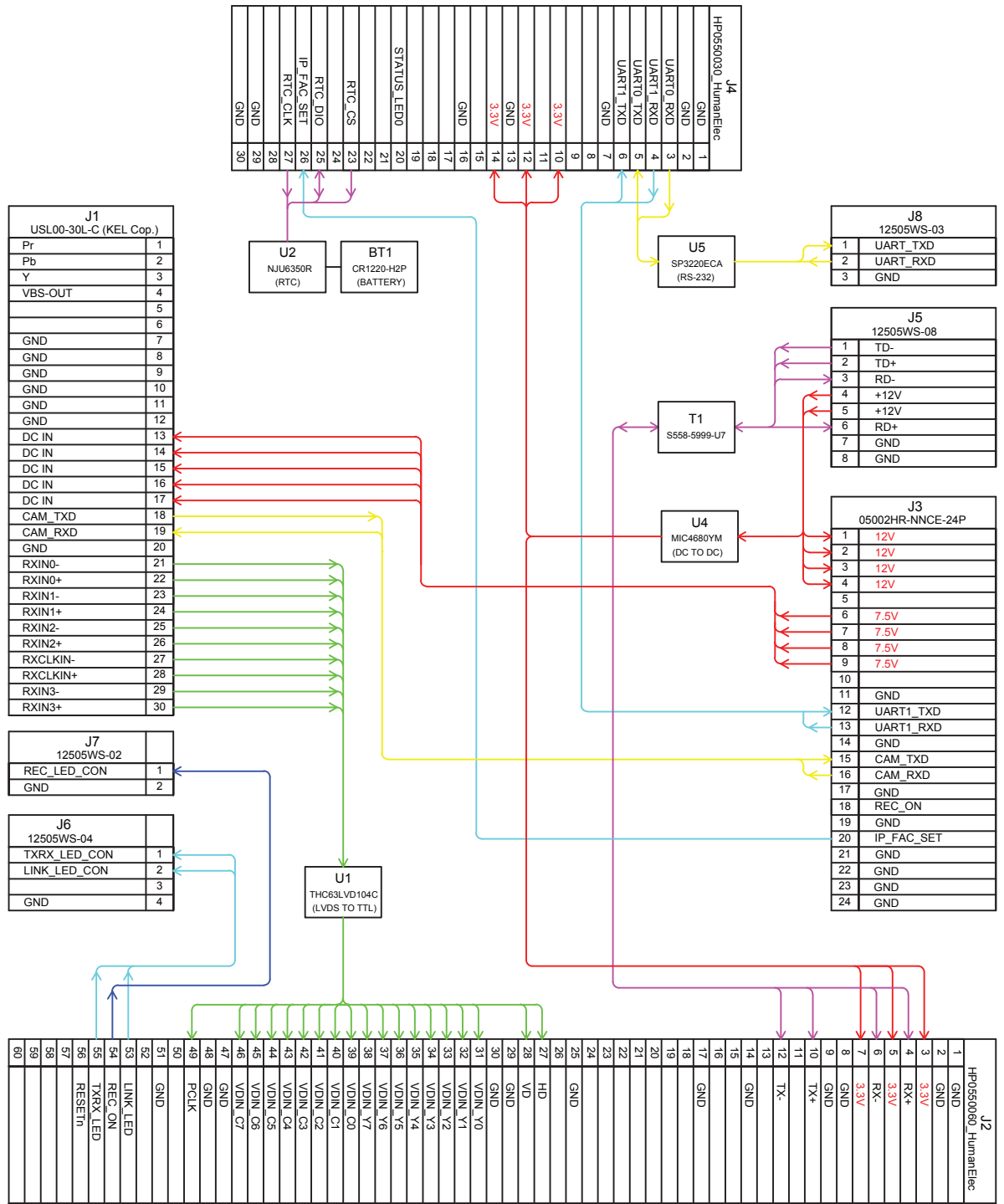


EM18165 EM18164 IP PINOUT



Unit : mm

