

H10Z1218M

10X 12~120 mm F1.8
for 1/2" format camera
C-Mount

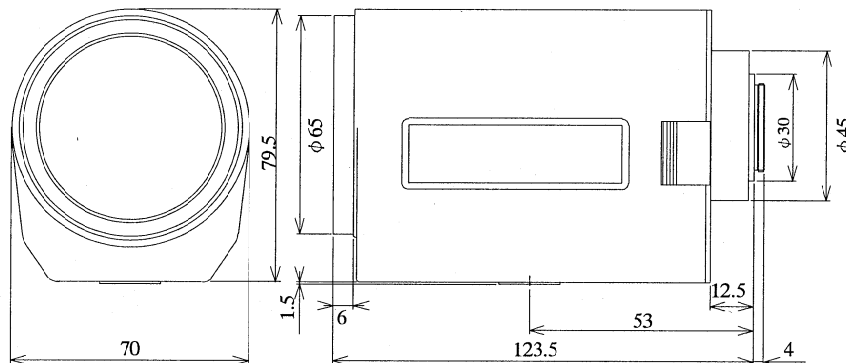
Model No.	H10Z1218M		Effective Front	φ 54.0 mm
Focal Length	12~120 mm		Lens Aperture Rear	φ 9.2 mm
Max. Aperture Ratio	1:1.8		Back Focal Length	14.4 mm
Max. Image Format	6.4×4.8 mm (φ 8 mm)		Flange Back Length	17.526 mm
Operation	Iris	Motorized, F1.8~22C	Mount	C-Mount
	Focus	Motorized, 1.5 m~Inf.	Filter Size	M62×0.75 mm
	Zoom	Motorized, 12~120 mm	Tripod Screw	1/4"-20UNC
Object Dimension at M.O.D.	12 mm	78.7×58.9 cm	Dimensions	W70×H79.5×D123.5 mm
	120mm	8.1×6.0 cm		
Angle of View	D	36.4° ~ 3.8°		
	H	29.4° ~ 3.1°		
	V	22.2° ~ 2.3°		
Control	Iris		Focus	
	Supply Voltage	DC 8 V	DC 8 V	DC 8 V
	Current	20 mA or less	40 mA or less	35 mA or less
	Transit Time	Approx. 4 sec.	Approx. 4 sec.	Approx. 4 sec.
Operating Temperature		-10° C ~ +50° C		

1/2

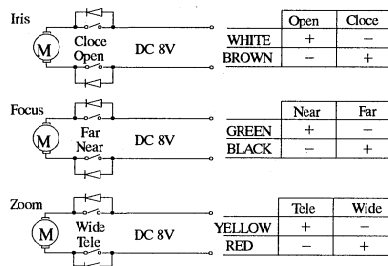
C

M.O.D. : Minimum Object Distance

Dimensions



Wiring Diagram



Remarks: Connect together with Brown (Iris), Black (Focus) and Red (Zoom) for common system when necessary.

ZM