

HD MEGAPIXEL

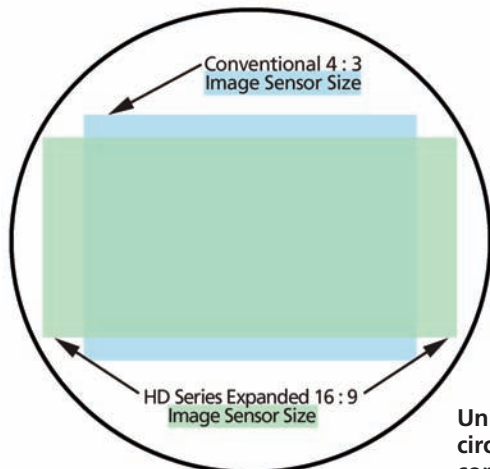
25-135mm 3 Megapixel Lens HG5Z2518FC-MP



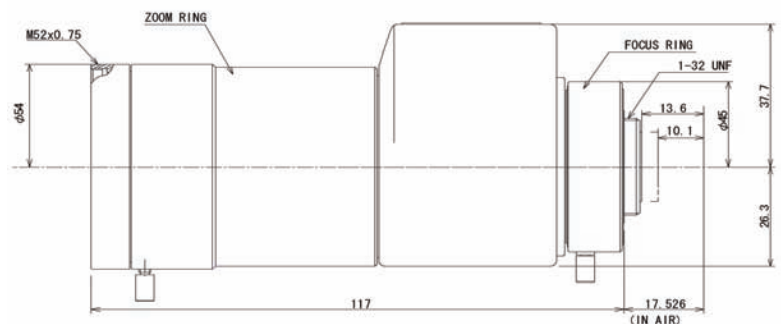
- 3 Megapixel Manual Iris Varifocal
- Full HD Format
- Ultra long range telephoto capability
- Corner Brightness
- Precise Focus Adjustment
- Manual Iris version also available

Model No.	HG5Z2518FC-MP			Effective	Front	ϕ 44.5mm	
Focal Length	25mm - 135mm			Lens Aperture	Rear	ϕ 12.2mm	
Max. Aperture Ratio	1:1.8				Back Focal Length	Tele	12.0mm
Max. Image Format	4.8mm x 6.4mm(ϕ 8.0mm)			Wide		16.4mm	
Operation Range	Iris	F1.8 - F360C		Flange Back Length		17.526mm	
	Focus	1.5m - Inf.		Mount		C-Mount	
	Zoom	25mm - 135mm		Filter Size		M52 x 0.75	
Control	Iris	DC Auto Iris		Dimensions		ϕ 54 x 64 x 117	
	Focus	Manual		Weight		450 g	
	Zoom	Manual					
Angle of View	D	1/2 type	18.4° - 3.5°	1/3 type	13.6° - 2.6°	1/4 type	10.1° - 2.0°
	H		14.5° - 2.8°		10.8° - 2.1°		8.1° - 1.6°
	V		10.8° - 2.1°		8.1° - 1.6°		6.0° - 1.2°
Coil	Drive	190 Ω					
	Control	1000 Ω					
Operating Temperature	-10°C - +50°C						

Specifications are subject to change without notice.



Dimensions:



Unique HD optical design provides larger image circle for exceptional brightness and clarity in corners and throughout image plane.