

NEW!!! 1/3" Miniature Color Machine Vision Camera
Replaces: SIC500N & IV-CCAM3 (as of March 2013)



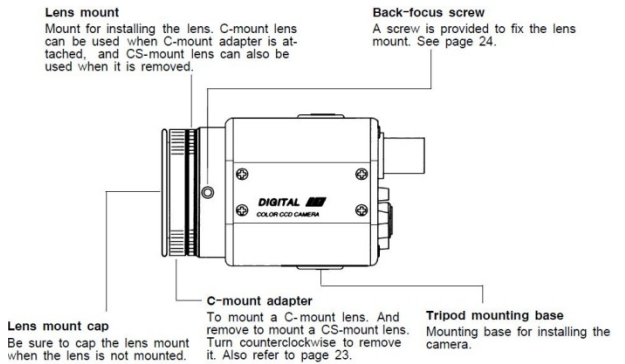
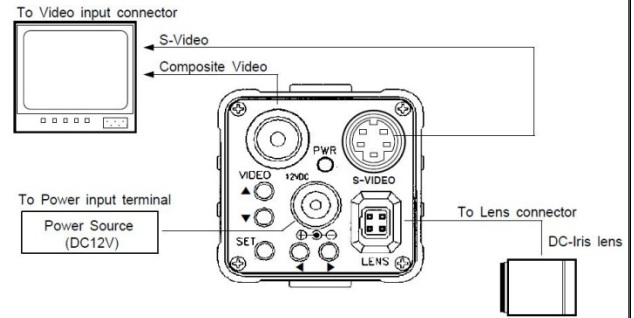
IVS Imaging introduces the new upgraded & easier to use Costar SIC700N. The SIC700N is replacing the older 1/3" models from Costar & Industrial Vision Source. With the new Sony Effio chipset, upgraded materials & an OSD that we designed with customer feedback, the SIC700N is sure to impress for years to come.

IVS Imaging is Your Single Source for machine vision products so don't forget to order lenses, cables, monitors, filters & power supplies.

- Sony Effio 1/3" CCD Sensor
- 518,000 Pixels @ 976(H)x494(V) NTSC & 976(H)x582(V) PAL
- 650TVL (470TVL = SIC500N)
- High Sensitivity 0.05Lux at F1.2, 50IRE
- Multi-Zone Backlight Compensation
- S-Video & Composite (BNC) outputs
- Electronic Shutter - 1/60(1/50) to 1/100,000 sec.
- Variable Gamma
- Multi-mode White Balance: ATW/AWC/Push/Manual/2 Presets
- OSD Menu & Adjustment
- Auto Iris DC Lens Connection

SIC700N Specifications

Sensor	1/3" Sony IT CCD
Effective Pixels	976(H) x 494(V) (NTSC)
Horizontal Resolution	650TVL
Video Outputs	Composite video (1Vp-p, 75Ω, unbalanced) Separated Y/C Signal (Y:1Vp-p/75Ω, C:0.286Vp-p/75Ω)
Sync System	Internal
Video S/N Ratio	48db (AGC off)
Min. Illumination	0.05lux @ F1.2, 50 IRE
White Balance	2400K - 10,000K
Shutter Speed Range	1/60 (1/50) – 1/100,000sec
Auto Iris Lens	DC Type: Coupling coil impedance
Gamma Correction	Variable
OSD Functions/Adjustments:	Motion Detection
	Day/Night
	Sync
	Back Light Compensation
	Privacy
	Motion Detection
	Noise Reduction
	Picture Adjust
OSD Languages	
Lens Mount	C/CS Mount
Power	DC12V / 2.5 Watt
Operating Temp	-10C to +50C (14 to 122 F)
Weight	140g (0.31lbs)
Dimensions (w/o lens)	41(w)x41(h)x51.6(d) mm
Supplied Accessories	Lens Cap, C-mount adapter & manual



SETUP MENU	
LENS	AUTO ←
SHUTTER/AGC	AUTO ←
WHITE BAL	ATW ←
BACKLIGHT	OFF
PICT ADJUST	←
ATR	OFF
MOTION DET	OFF
NEXT ←	
EXIT ←	SAVE ALL

Setup menu



101 Wrangler, Suite 201 • Coppell, Texas 75019 • Phone: 469-635-6810 • Fax: 469-635-6822 • Toll Free: 1-888-446-1301

WWW.IVSIMAGING.COM

Specifications and design are subject to change without notice. Conversions: 1" = 25.4mm Measurement conversions are approximate.