



**For Security
Vari-Focal**

MP⁺
MEGA
PIXELS

YV2.1×2.8SR4A-SA2

Applicable camera (model)

1 2/3 1/2 1/3 1/4

2.1×



New!

VARI
Vari-Focal

WIDE
Wide Angle

3 Mega
For Megapixel
Camera

**Day~
Night**
Day & Night

DC
DC Auto Iris

CS-mt
CS Mount

METAL
Metal Mount

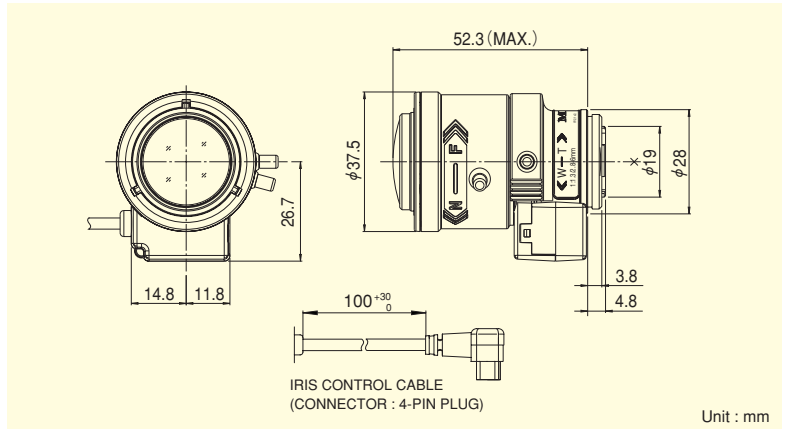
ND
ND Filter

230
Long Cable

AT
Aspherical Lens

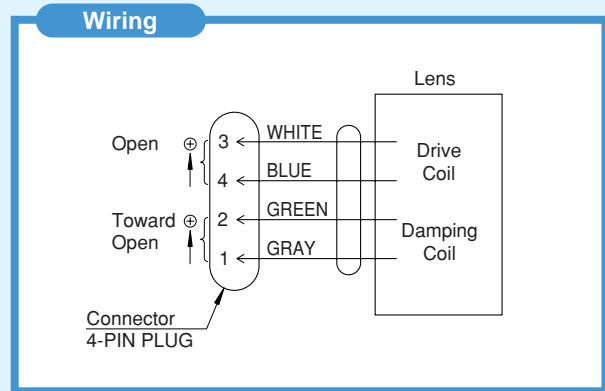
F1.3
Wide Aperture Rate

- High image-quality monitoring with optical performance supporting 3 megapixels.
- Advanced design engineering and special optic glass adopted, best suited for color, Black and White and Day and Night cameras.
- WIDE 2.8mm, achieving a horizontal field angle of 100 degrees (when used on 1/3 cameras).
- Designed to maximize optical performance with high-accuracy aspheric lens, low-dispersion glass, and high refractive-index glass.
- Built-in ND filter of T360, supporting high sensitivity cameras.



MEGAPIXEL VARI-FOCAL LENSES MP⁺

Focal Length (mm)		2.8~6 (2.1×)	
Iris Range		F1.3 ~ T360 (Equivalent to F360)	
Operation	Zoom	Manual	
	Focus	Manual	
	Iris	Auto (DC Type) (*1)	
Angle Of View (H×V)	1/3"	WIDE	101°11' × 74°10'
		TELE	46°58' × 35°09'
	1/4"	WIDE	74°10' × 54°58'
		TELE	35°09' × 26°19'
Focusing Range (From Front Of The Lens) (m)		∞ ~ 0.3	
Object Dimensions at M.O.D. (H×V) (mm)	1/3"	WIDE	758 × 470
		TELE	270 × 197
	1/4"	WIDE	470 × 323
		TELE	197 × 145
Back Focal Distance (in air) (mm)		9.03	
Exit Pupil Position (From Image Plane) (mm)		-222	
Filter Thread (mm)		—	
Mount		CS	
Mass (g)		55	
Coil Resistance		Drive Coil	190Ω
		Damping Coil	500Ω
Current Consumption		23mA (Max.) at DC 4V	
Remarks		<ul style="list-style-type: none"> • With Metal Mount (*1) When power is turned off, iris will automatically close. <p>YV2.1×2.8SR4A-SA2L : Long Cable Type (230mm)</p>	



[Lens Image]

