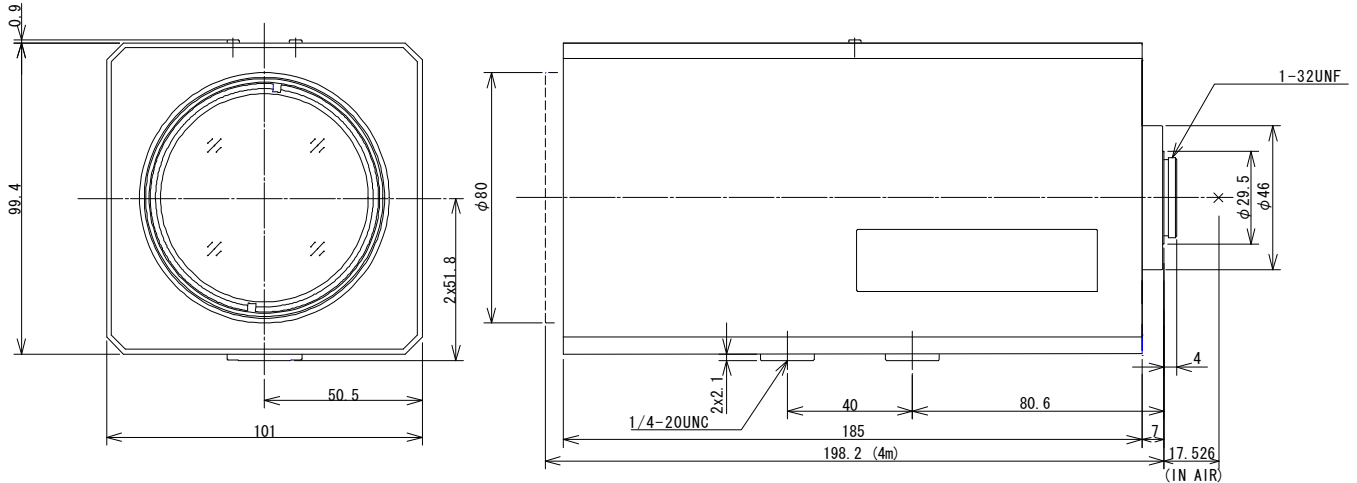


E24Z1018MSP-MP

24X 10mm-240mm F1.8
for 1/1.8 type 3 Megapixel Cameras, Motorized Zoom
C-Mount

Model No.	E24Z1018MSP-MP			Effective	Front	ϕ 66mm	
Focal Length	10mm - 240mm			Lens Aperture	Rear	ϕ 13mm	
Max. Aperture Ratio	1:1.8			Back Focal Length		14.1mm	
Max. Image Circle	ϕ 8.9mm			Flange Back Length		17.526mm	
Operation Range	Iris	F1.8 - F500C		Mount		C-Mount	
	Focus	4m - Inf.		Filter Size		M77 P=1mm	
	Zoom	10mm - 240mm		Tripod Screw		1/4 -20UNC	
Control	Iris	Motorized		Dimensions		W101mm x H102.4mm x D198.2mm	
	Focus	Motorized		Weight		2120g	
	Zoom	Motorized					
Angle of View	D	1/1.8 type (4:3)	48.5° - 2.2°	1/2 type (4:3)	43.7° - 1.9°	1/3 type (4:3)	33.0° - 1.5°
	H		39.0° - 1.7°		35.2° - 1.6°		26.5° - 1.2°
	V		29.5° - 1.3°		26.5° - 1.2°		20.0° - 0.9°
	Iris		Focus		Zoom		
Supply Voltage	DC6V		DC6V		DC6V		
Current	90mA or less		90mA or less		90mA or less		
Response Time	Approx. 4.5 sec.		Approx. 6.5 sec.		Approx. 6.5 sec.		
Preset Potentiometer			5k Ω VR		5k Ω VR		
Operating Temperature	-10°C - +50°C						

Dimensions



Wiring Diagram

PRESET POTENTIOMETER

