

# H10Z1218AMSP-2

10X 12~120 mm F1.8  
for 1/2" format cameras  
C-Mount

With Preset

Model No.	H10Z1218AMSP-2		Effective	Front	φ 54.0 mm
Focal Length	12~120mm		Lens Aperture	Rear	φ 9.2mm
Max. Aperture Ratio	1 : 1.8		Back Focal Length	14.4 mm	
Max. Image Format	6.4 x 4.8mm (φ 8mm)		Flange Back Length	17.526 mm	
Operation Range	Iris	F1.8 ~ 560	Mount	C-Mount	
	Focus	1.5m ~ Inf.	Filter Size	M62 P=0.75 mm	
	Zoom	12~120mm	Tripod Screw	1/4"-20UNC	
Control	Iris	Auto Iris(by galvanometer)	Dimensions	W70 x H79.5 x D123.5mm	
	Focus	Motorized,Preset	Weight	680g	
	Zoom	Motorized,Preset			
Object Dimension at M.O.D.	12mm	78.7 x 58.9cm			
	120mm	8.1 x 6.0cm			
Angle of View	D			36.4~3.8°	
	H	1/2"		29.4~3.1°	
	V			22.2~2.3°	
Control	Iris		Focus		Zoom
Supply Voltage	DC8.5 ~ 16V		DC8V		DC8V
Current	40mA or less		45mA or less		50mA or less
Response Time	Approx. 2 sec.		Approx. 5.5 sec.		Approx. 5.5 sec.
Preset Potentiometer	-		5KΩ VR		5KΩ VR
Light Weighting Method	Adjustable between Average - Peak ( to be set at Average at factory )				
Remote Control	Level (VL 1.5 - 5.5V) & ALC(VA 4.0 - 5.5V)				
Input Signal	Video Signal ( V or VS )				
Iris Accuracy	± 15% at Video Signal Level				
Sensitivity Adjustment	0.5~1.0Vp-p ( Video Signal )				
Input Impedance	High Impedance				
Operating Temperature	-10 ~ +50°C				

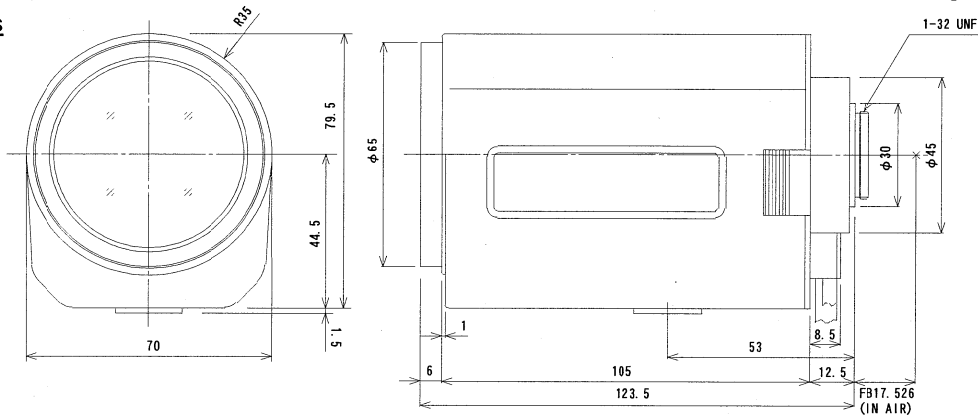
1/2

C

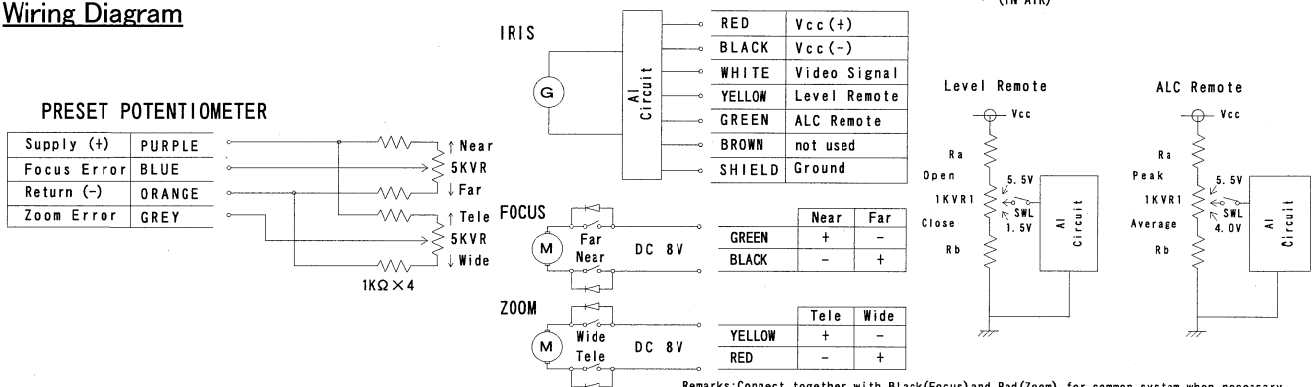
ZA

M.O.D. : Minimum Object Distance

Dimensions



Wiring Diagram



Remarks: Connect together with Black(Focus) and Red(Zoom) for common system when necessary.