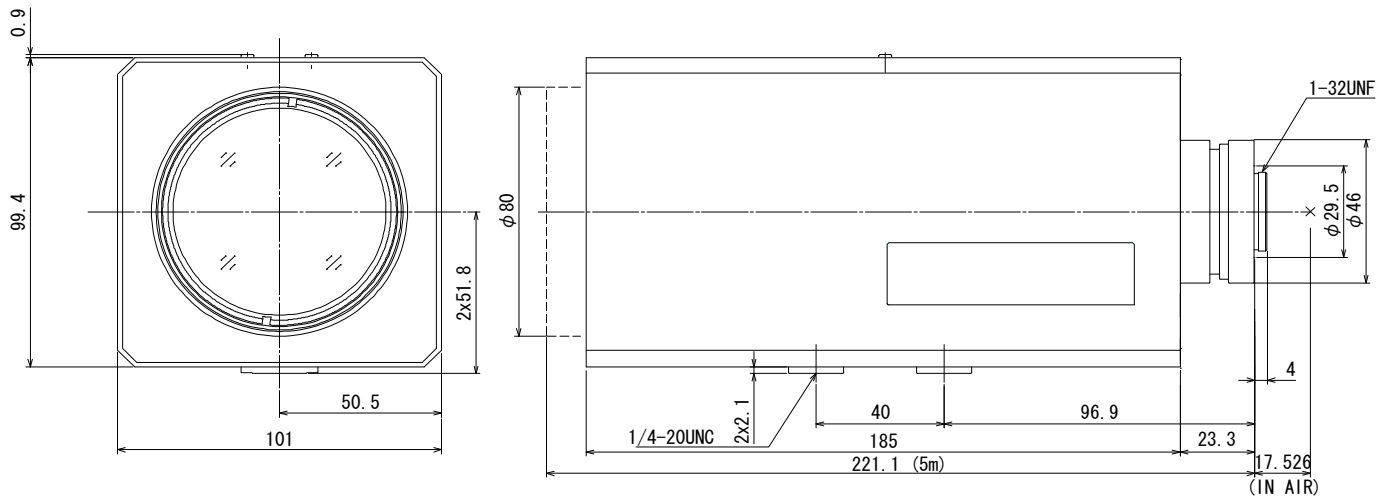


# computar M24Z1527PDC-MP

24X 15mm-360mm F2.7  
for 2/3 type Megapixel Cameras, Motorized Zoom  
C-Mount

Model No.	M24Z1527PDC-MP		Effective	Front	$\phi$ 66mm	
Focal Length	15mm - 360mm		Lens Aperture	Rear	$\phi$ 13.8mm	
Max. Aperture Ratio	1:2.7		Back Focal Length	19.3mm		
Max. Image Circle	$\phi$ 11mm		Flange Back Length	17.526mm		
Operation Range	Iris	F2.7 - F500C	Mount	C-Mount		
	Focus	5m - Inf.	Filter Size	M77 P=1mm		
	Zoom	15mm - 360mm	Tripod Screw	1/4 -20UNC		
Control	Iris	DC Auto Iris	Dimensions	W101mm x H102.4mm x D221.1mm		
	Focus	Motorized	Weight	2180g		
	Zoom	Motorized				
Angle of View	D	2/3 type	1/1.8 type	32.8° - 1.5°	1/2 type	40.2° - 1.8°
	H					32.3° - 1.4°
	V					24.4° - 1.1°
						29.4° - 1.3°
						23.6° - 1.0°
						17.8° - 0.8°
	Iris		Focus		Zoom	
Supply Voltage	---		DC6V	DC6V		
Current	---		90mA or less	90mA or less		
Response Time	---		Approx. 6.5 sec.	Approx. 6.5 sec.		
Preset Potentiometer	---		5k $\Omega$ VR	5k $\Omega$ VR		
Coil	Drive	190 $\Omega$				
	Control	1000 $\Omega$				
Operating Temperature	-10°C - +50°C					

## Dimensions



## Wiring Diagram

