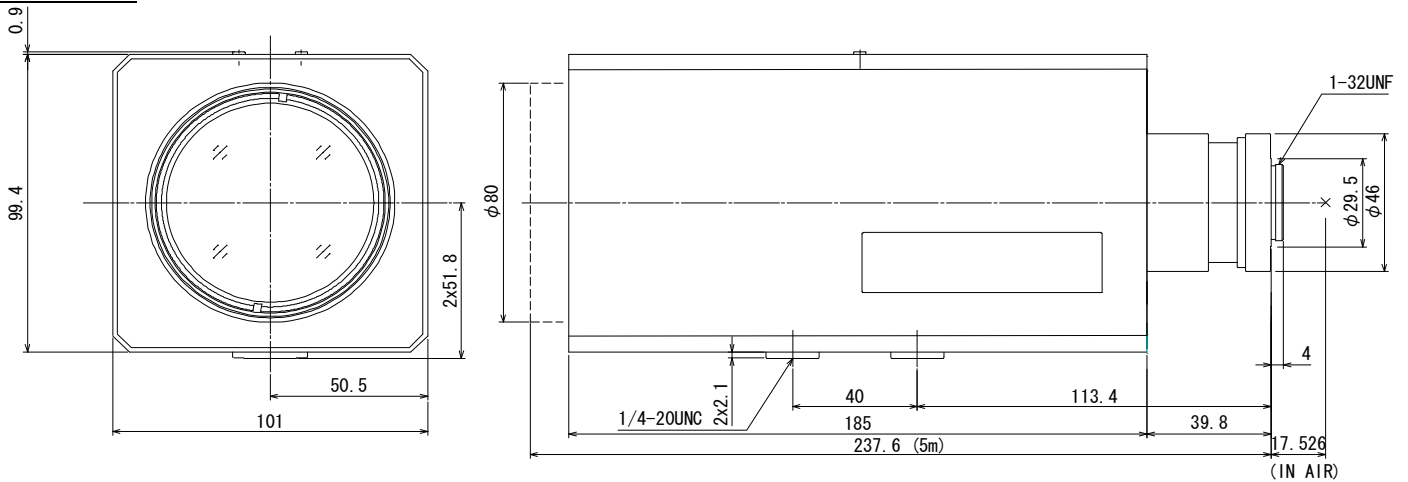


24X 21mm-500mm F3.8
for 2/3 type Megapixel Cameras, Motorized Zoom
C-Mount

Model No.		M24Z2138PDC-MP		Effective	Front	φ 66mm	
Focal Length		21mm - 500mm		Lens Aperture	Rear	φ 14.5mm	
Max. Aperture Ratio		1:3.8		Back Focal Length		21.3mm	
Max. Image Circle		φ 11mm		Flange Back Length		17.526mm	
Operation Range	Iris	F3.8 - F500C		Mount		C-Mount	
	Focus	5m - Inf.		Filter Size		M77 P=1mm	
	Zoom	21mm - 500mm		Tripod Screw		1/4 -20UNC	
Control	Iris	DC Auto Iris		Dimensions		W101mm x H102.4mm x D237.6mm	
	Focus	Motorized		Weight		2240g	
	Zoom	Motorized					
Angle of View	D	2/3 type	29.4° - 1.3°	1/1.8 type	23.6° - 1.0°	1/2 type	21.4° - 0.9°
	H		23.5° - 1.0°		18.9° - 0.8°		17.1° - 0.8°
	V		17.6° - 0.8°		14.2° - 0.6°		12.8° - 0.6°
		Iris	Focus		Zoom		
Supply Voltage		---		DC6V		DC6V	
Current		---		90mA or less		90mA or less	
Response Time		---		Approx. 6.5 sec.		Approx. 6.5 sec.	
Preset Potentiometer		---		5kΩ VR		5kΩ VR	
Coil	Drive	190Ω					
	Control	1000Ω					
Operating Temperature		-10°C - +50°C					

Dimensions



Wiring Diagram

PRESET POTENTIOMETER

