

T34Z5518AMSP-CS

34X 5.5~187 mm F1.8
for 1/3" format cameras
CS-Mount

With Preset

Model No.	T34Z5518AMSP-CS		Effective	Front	φ 70 mm
Focal Length	5.5~187mm		Lens Aperture	Rear	φ 9.1mm
Max. Aperture Ratio	1 : 1.8		Back Focal Length	12.7 mm	
Max. Image Format	4.8 x 3.6mm (φ 6mm)		Flange Back Length	12.5 mm	
Operation Range	Iris	F1.8 ~ 560	Mount	CS-Mount	
	Focus	1.5m ~ Inf.	Filter Size	M77 P=0.75 mm	
	Zoom	5.5~187mm	Tripod Screw	1/4"-20UNC	
Control	Iris	Auto Iris(by galvanometer)	Dimensions	W82 x H97.4 x D160mm	
	Focus	Motorized	Weight	1190g	
	Zoom	Motorized			
Object Dimension at M.O.D.	5.5mm	129.2 x 95.2cm			
	187mm	3.9 x 2.9cm			
Angle of View	D				57.5~1.9°
	H	1/3"			46.6~1.5°
	V				35.2~1.1°
Control	Iris	Focus	Zoom		
Supply Voltage	DC8.5 ~ 16V	DC8V	DC8V		
Current	40mA or less	40mA or less	25mA or less		
Response Time	Approx. 2 sec.	Approx. 3.5 sec.	Approx. 3.5 sec.		
Preset Potentiometer	—	5KΩ VR	5KΩ VR		
Light Weighting Method	Adjustable between Average - Peak (to be set at Average at factory)				
Remote Control	Level Remote				
Input Signal	Video Signal (V or VS)				
Iris Accuracy	± 15% at Video Signal Level				
Sensitivity Adjustment	0.5~1.0Vp-p (Video Signal)				
Input Impedance	High Impedance				
Operating Temperature	-10° C ~ +50° C				

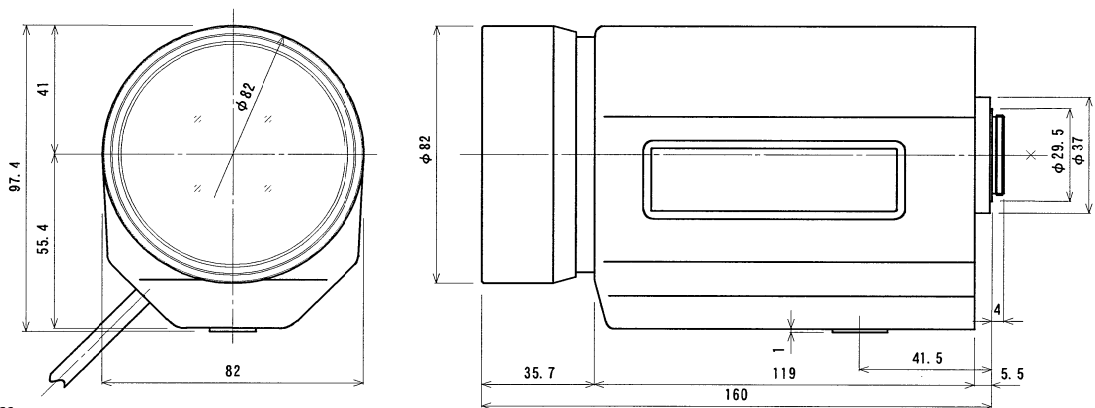
1/3

CS

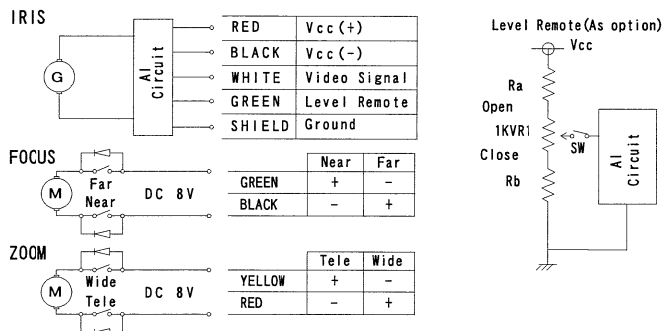
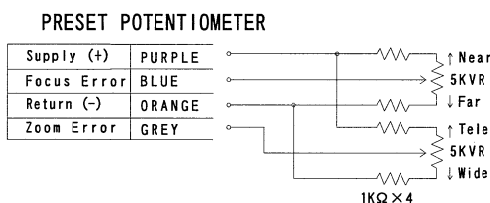
ZA

M.O.D. : Minimum Object Distance

Dimensions



Wiring Diagram



Remarks: Connect together with Black (Focus) and Red (Zoom) for common system when necessary.