

# T34Z5518AMSR-CS

34X 5.5~187 mm F1.8  
for 1/3" format cameras  
CS-Mount

With Over-ride Manual

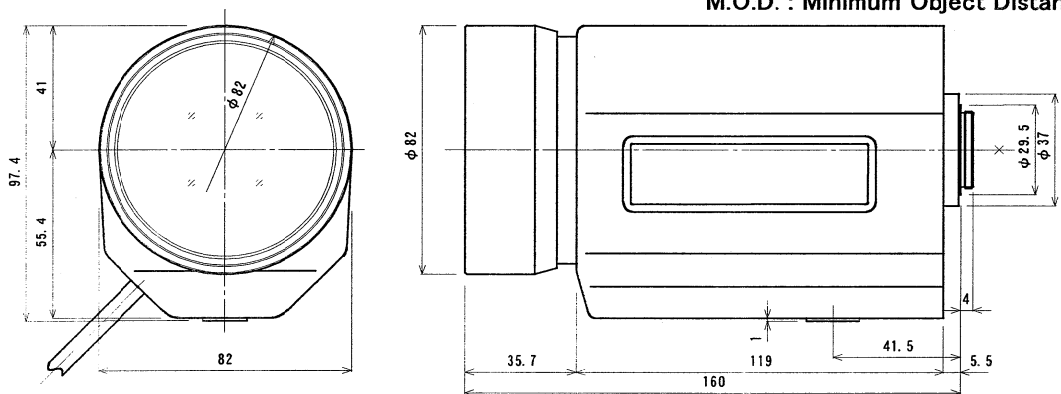
Model No.	T34Z5518AMSR-CS		Effective	Front	φ 70 mm
Focal Length	5.5~187mm		Lens Aperture	Rear	φ 9.1mm
Max. Aperture Ratio	1 : 1.8		Back Focal Length	12.7 mm	
Max. Image Format	4.8 x 3.6mm (φ 6mm)		Flange Back Length	12.5 mm	
Operation Range	Iris	F1.8 ~ 560	Mount	CS-Mount	
	Focus	1.5m ~ Inf.	Filter Size	M77 P=0.75 mm	
	Zoom	5.5~187mm	Tripod Screw	1/4"-20UNC	
Control	Iris	Auto Iris(by galvanometer)	Dimensions	W82 x H97.4 x D160mm	
	Focus	Motorized	Weight	1150g	
	Zoom	Motorized			
Object Dimension at M.O.D.	5.5mm	129.2 x 95.2cm			
	187mm	3.9 x 2.9cm			
Angle of View	D	57.5~1.9°			
	H	46.6~1.5°			
	V	35.2~1.1°			
Control	Iris	Focus	Zoom		
Supply Voltage	DC8.5 ~ 16V	DC8V	DC8V		
Current	50mA or less	40mA or less	25mA or less		
Response Time	Approx. 2 sec.	Approx. 3.5 sec.	Approx. 3.5 sec.		
Preset Potentiometer	—	—	—		
Light Weighting Method	Adjustable between Average - Peak ( to be set at Average at factory )				
Remote Control	Level Remote / Over-ride Manual				
Input Signal	Video Signal ( V or VS )				
Iris Accuracy	± 15% at Video Signal Level				
Sensitivity Adjustment	0.5~1.0Vp-p ( Video Signal )				
Input Impedance	High Impedance				
Operating Temperature	-10 ~ +50°C				

1/3

CS

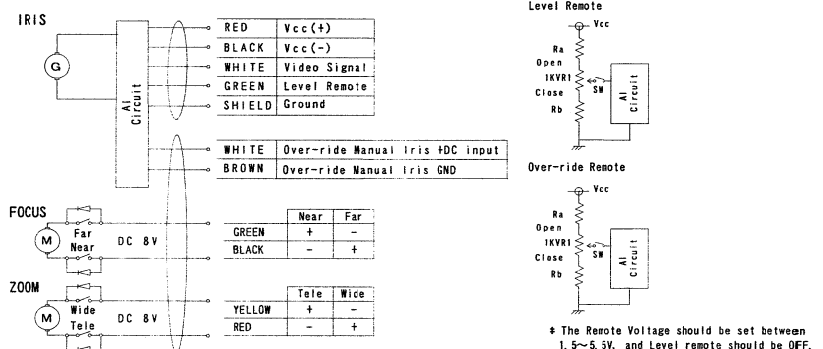
ZA

Dimensions



M.O.D. : Minimum Object Distance

Wiring Diagram



\* The Remote Voltage should be set between 1.5~5.5V, and Level remote should be OFF.

Remarks: Connect together with Black(Focus) and Red(Zoom) for common system when necessary.