

T34Z5518DC-CS

34X 5.5mm - 187mm F1.8
for 1/3 type Cameras, Motorized Zoom
CS-Mount

with DC Auto Iris

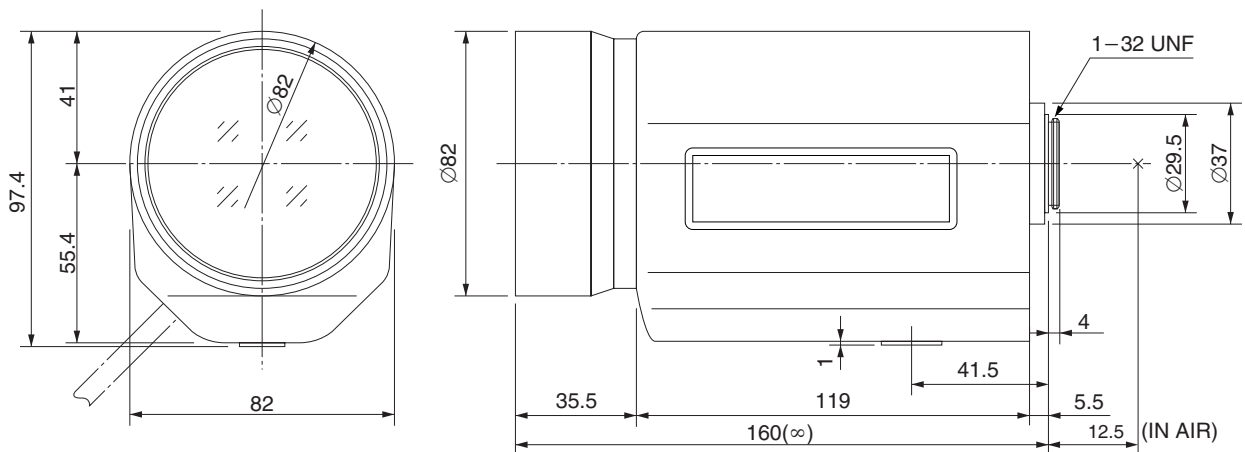
1/3
type

CS

Model No.	T34Z5518DC-CS		Effective	Front	Ø70.0mm	
Focal Length	5.5mm - 187mm		Lens Aperture	Rear	Ø9.1mm	
Max. Aperture Ratio	1:1.8		Back Focal Length		12.7mm	
Max. Image Format	4.8mm x 3.6mm(Ø6mm)		Flange Back Length		12.5mm	
Operation Range	Iris	F1.8 - F560C		Mount	CS-Mount	
	Focus	1.5m - Inf.		Filter Size	M77 P=0.75mm	
	Zoom	5.5mm - 187mm		Tripod Screw	1/4 - 20UNC	
Control	Iris	DC Auto Iris		Dimensions	W82mm x H97.4mm x D160mm	
	Focus	Motorized		Weight	1110g	
	Zoom	Motorized				
Object Dimension at M.O.D.	5.5mm	129.2cm x 95.2cm				
	187mm	4.1cm x 3.1cm				
Angle of View	D	1/3 type	57.5° - 1.92°	1/4 type	43.8° - 1.45°	
	H		46.6° - 1.55°		35.2° - 1.17°	
	V		35.2° - 1.17°		26.5° - 0.88°	
		Iris		Focus		Zoom
Supply Voltage	—		DC8V		DC8V	
Current	—		40mA or less		25mA or less	
Response Time	—		Approx. 3.5 sec.		Approx. 3.5 sec.	
Preset Potentiometer	—		—		—	
Coil	Drive	190Ω				
	Control	1000Ω				
Operating Temperature	-10°C - +50°C					

M.O.D. : Minimum Object Distance

Dimensions



Wiring Diagram

