

# TG3Z3510AFCS-IR

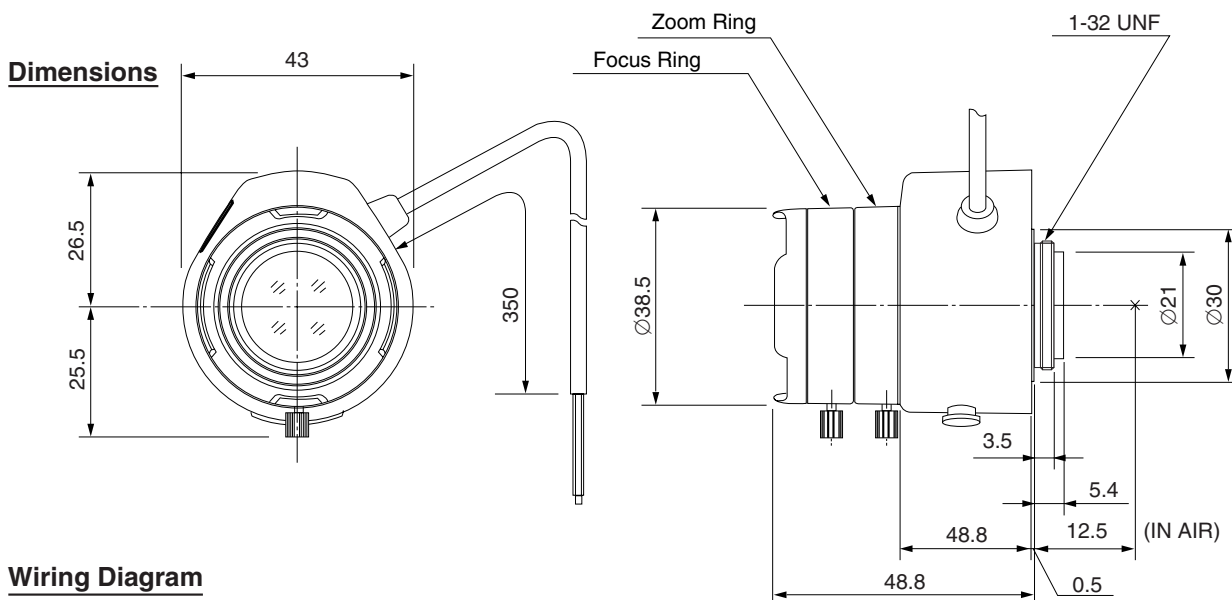
**3X 3.5mm - 10.5mm F1.0 Day & Night type**  
**for 1/3 type Format Cameras, Vari-focal Drive Auto Iris**  
**CS-Mount**

with Focus and Amplifier

Model No.	TG3Z3510AFCS-IR		Effective	Front	∅18.6mm	
Focal Length	3.5mm - 10.5mm		Lens Aperture	Rear	∅10.2mm	
Max. Aperture Ratio	1:1.0		Back Focal	Tele	16.3mm	
Max. Image Format	4.8mm x 3.6mm(∅6mm)			Length	Wide	8mm
Operation Range	Iris	F1.0 - F360	Flange Back Length		12.5mm	
	Focus	0.3m - Inf.	Mount		CS-Mount	
	Zoom	3.5mm - 10.5mm	Filter Size		—	
Control	Iris	Video Auto Iris	Dimensions			∅38.5mm x 48mm x 48.8mm
	Focus	Manual	Weight			70g
	Zoom	Manual				
Object Dimension at M.O.D.	3.5mm	52cm x 34.1cm				
	10.5mm	14.5cm x 10.8cm				
Angle of View	D	1/3 type	108.2° - 34.2°			
	H		81.8° - 27.2°			
	V		59.2° - 20.4°			
Supply Voltage	DC8.5V - DC16V					
Current	Less than 40mA					
Response Time	Approx. 2 sec.					
Light Weighting Method	Adjustable between Average - Peak (to be Set at Average at Factory)					
Input Signal	Video Signal (V. or V.S.)					
Iris Accuracy	± 15% at Video Signal Level					
Sensitivity Adjustment	0.5V(p-p) - 1.0V(p-p) (Video Signal)					
Input Impedance	High Impedance					
Operating Temperature	-20°C - +50°C					

Operates in both visible and infrared light

M.O.D. : Minimum Object Distance



1/3 type

CS

AG

Z

SP